

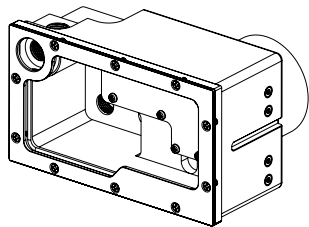
# Pacific PR2U Pump+Reservoir

## Pacific PR2U Pump + Reservoir

This product is intended for installation only by expert users. Please consult with a qualified technician for installation. Improper installation may result in damage to your equipment.

1. Please carefully read the manual before beginning the installation process !
2. It is strongly recommended to use market proven pre-mix coolant, such as Thermaltake Coolant 1000.
3. DO NOT USE any kind of alcohol or alcohol derivatives with this reservoir or the acrylic tube may crack and fail ! Do not clean it using alcohol either !

### Parts List



**A** x 1  
Pump + Reservoir



**B** x 8  
Screw



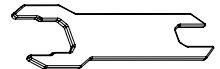
**C** x 2  
G1/4 Stop Plug



**D** x 1  
G1/4 Stop Plug



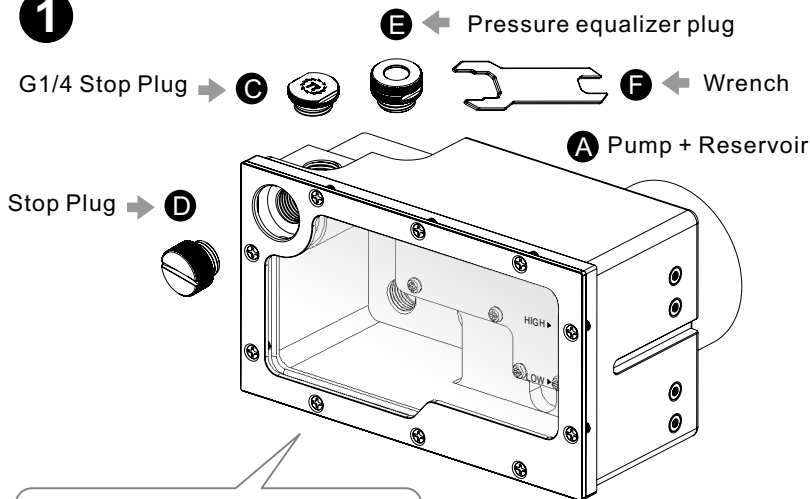
**E** x 1  
Pressure Equalizer Plug



**F** x 1  
Wrench

### Installation Guide

**1**

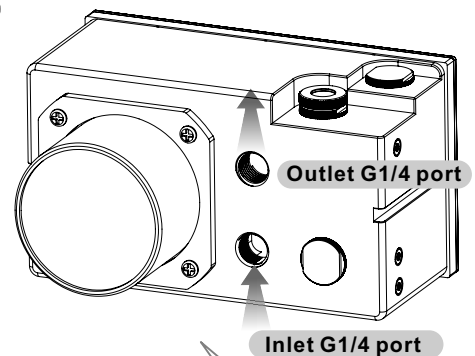


Place the Pacific PR2U in your 5.25" drive bay with the front plate facing outwards. Secure the reservoir to the drive bay cage using the enclosed M3 screws (B) x 8.

#### Caution

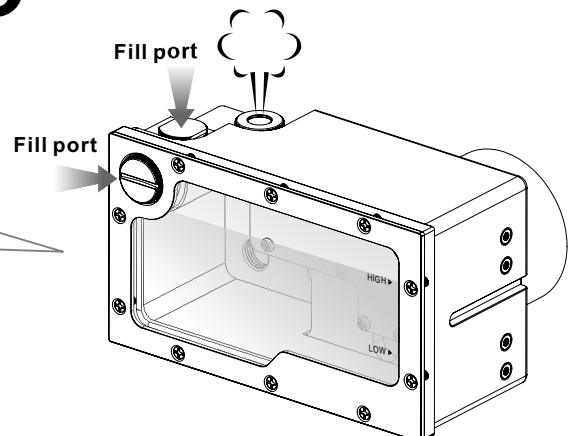
1. Do not soak the pressure equalizer plug in water / coolant
2. Please drain your loop and seal the fill port with stop plug before transporting your PC

**2**



Use any two of G1/4 threaded ports on the back of reservoir as an outlet or inlet port.

**3**



Fill the reservoir through G1/4 threaded fill ports. Thermaltake recommends to install the pressure equalizer plug on the top of the reservoir allowing air and pressure to automatically pass through the plug preventing pressure buildup in your loop.